



Distributor

TECO
TECO ELECTRIC & MACHINERY CO., LTD.

10F, No. 3-1, Park St., Nan-Kang, Taipei 115, Taiwan
 TEL : 886-2-6615-9111Ext.1725 FAX : 886-2-6615-1033
<http://globalsa.teco.com.tw>

Specifications covered in this brochure may be subject to change without notice.



GJ-82-01 2016-03-15

L510s

Compact V/F & SLV control Drive



L510s Series

Compact V/F & SLV control Drive



MAIN FEATURES

- Output frequency up to 599Hz
- Built-in Modbus RS485 communication for one to one and one to many control
- Built-in digital display and keypad including speed adjustment potentiometer
- RJ45 interface for PC and copy module
- Compact space saving design for side by side installation. Plus optional Din rail mounting kit
- Built-in PID feedback control
- Rapid stop function built-in complying with global standard
- Earthing terminals built-in into heat sink to effectively provide grounding protection
- Flip form communication interface for easy link and dust-proof feature, with operational and protective functions
- Auto Carrier frequency change to limit inverter over temperature
- Frame1 with fanless design can effectively objects entry to extends product life
- NEW** Higher reliability and environment immunity with coated PCB
- NEW** 32 bit 100M Hz CPU design provides high performance, faster A/D conversion and torque compensation
- NEW** Control mode include V/F and SLV
- NEW** Communication interface modules for Profibus/ DeviceNet/ Ethernet(TCP/IP)/ CANopen
- NEW** New Built-in BACnet communication function
- NEW** Built-in EMI filter. For interference suppression in compliance with (IEC) EN61800-3 and (IEC)EN 61800-5-1 standard.
- NEW** L510s connects grounding kit (option) to enhance the EMC effect
- NEW** Motor over-temperature protective function to protect motor (fulfilled by PTC)

* Red words represent new function for L510s

Power Rating	0.2kW 0.25HP	0.4kW 0.5HP	0.75kW 1HP	1.5kW 2HP	2.2kW 3HP	3.7kW 5HP	5.5kW 8HP	7.5kW 10HP	11kW 15HP
L510s	100V 1 phase								
	200V 1 phase								
	200V 3 phase								
				400V 3 phase					

* Red color represent new range in power rating for L510s

BASIC SPECIFICATIONS

100V Class : Single phase

Model : L510-□□□-SH1-N/P	1P2	1P5	101
Horse power (HP)	0.25	0.5	1
Suitable motor capacity (kW)	0.2	0.4	0.75
Rated output current (A)	1.8	2.6	4.3
Rated capacity (kVA)	0.7	1.0	1.7
Input voltage range(V)	Single Phase : 100~120V(+10%-15%),50/60HZ		
Output voltage range(V)	Three phase 0~240V		
Input current (A)*	9.5	13	19
weight(kG)	0.9	0.9	1.4
Allowable momentary power loss time (S)	1.0	1.0	1.0
Enclosure	IP20		

200V Class : Single phase. F : Standards for built-in filter

Model : L510-□□□-SH1-N/P (L510-□□□-SH1F-P)	2P2	2P5	2P7	201	202	203
Horse power (HP)	0.25	0.5	0.75	1	2	3
Suitable motor capacity (kW)	0.2	0.4	0.55	0.75	1.5	2.2
Rated output current (A)	1.8	2.6	3.4	4.3	7.5	10.5
Rated capacity (kVA)	0.7	1.0	1.3	1.7	3.0	4.0
Input voltage range(V)	Single Phase : 200~240V(+10%-15%),50/60HZ					
Output voltage range(V)	Three phase 0~240V					
Input current (A)*	4.9	7.2	9	11	15.5	21
weight(kG)	0.9	0.9	0.9	0.9	1.4	1.4
weight with filter(kG)	1.0	1.0	1.0	1.0	1.5	1.5
Allowable momentary power loss time (S)	1.0	1.0	1.0	1.0	2.0	2.0
Enclosure	IP20					

200V Class : Three phase

Model : L510-□□□-SH3-N/P	2P2	2P5	201	202	203
Horse power (HP)	0.25	0.5	1	2	3
Suitable motor capacity (kW)	0.2	0.4	0.75	1.5	2.2
Rated output current (A)	1.8	2.6	4.3	7.5	10.5
Rated capacity (kVA)	0.7	1.0	1.7	3.0	4.0
Input voltage range(V)	Three phase : 200~240V(+10%-15%),50/60HZ				
Output voltage range(V)	Three phase 0~240V				
Input current (A)*	3.0	4.0	6.4	9.4	12.2
weight(kG)	0.9	0.9	0.9	1.4	1.4
Allowable momentary power loss time (S)	1.0	1.0	1.0	2.0	2.0
Enclosure	IP20				

Model : L510-□□□-SH3	205	208	210
Horse power (HP)	5	7.5	10
Suitable motor capacity (kW)	3.7	5.5	7.5
Rated output current (A)	17.5	26	35
Rated capacity (kVA)	6.7	9.9	13.3
Input voltage range(V)	Three phase : 200~240V(+10%-15%),50/60HZ		
Output voltage range(V)	Three phase 0~240V		
Input current (A)*	19.3	28.6	38.5
weight(kG)	2.5	6	6
Allowable momentary power loss time (S)	2.0	2.0	2.0
Enclosure	IP20		

400V Class : Three phase. F : Standards for built-in filter

Model : L510-□□□-SH3-N/P (L510-□□□-SH3F-P)	401	402	403
Horse power (HP)	1	2	3
Suitable motor capacity (kW)	0.75	1.5	2.2
Rated output current (A)	2.3	3.8	5.2
Rated capacity (kVA)	1.7	2.9	4.0
Input voltage range(V)	Three Phase : 380~480V(+10%-15%),50/60HZ		
Output voltage range(V)	Three phase 0~480V		
Input current (A)*	4.2	5.6	7.3
weight(kG)	1.4	1.4	1.4
weight with filter(kG)	1.5	1.5	1.5
Allowable momentary power loss time (S)	2.0	2.0	2.0
Enclosure	IP20		

Model : L510-□□□-SH3 (L510-□□□-SH3F)	405	408	410	415
Horse power (HP)	5	7.5	10	15
Suitable motor capacity (kW)	3.7	5.5	7.5	11
Rated output current (A)	9.2	13.0	17.5	24
Rated capacity (kVA)	7.0	9.9	13.3	18.3
Input voltage range(V)	Three Phase :380~480V(+10%-15%),50/60HZ			
Output voltage range(V)	Three Phase 0~480V			
Input current (A)*	10.1	14.3	19.3	26.4
weight(kG)	2.5	2.5	6	6
weight with filter(kG)	2.7	2.7	6.3	6.3
Allowable momentary power loss time (S)	2.0	2.0	2.0	2.0
Enclosure	IP20			

MODEL IDENTIFICATION

L510 - 1 P2 - S H 1 □ - N

Supply voltage

1 : 100V Class
2 : 200V Class
4 : 400V Class

Horsepower

100V Class	400V Class
P2 : 0.25HP	01 : 1HP
P5 : 0.5HP	02 : 2HP
01 : 1HP	03 : 3HP
	05 : 5HP
200V Class	08 : 7.5HP
P2 : 0.25HP	10 : 10HP
P5 : 0.5HP	
P7 : 0.75HP	15 : 15HP
01 : 1HP	
02 : 2HP	
03 : 3HP	
05 : 5HP	
08 : 7.5HP	
10 : 10HP	

P : PNP
N : NPN

Filter
F : Built-in
Blank : None

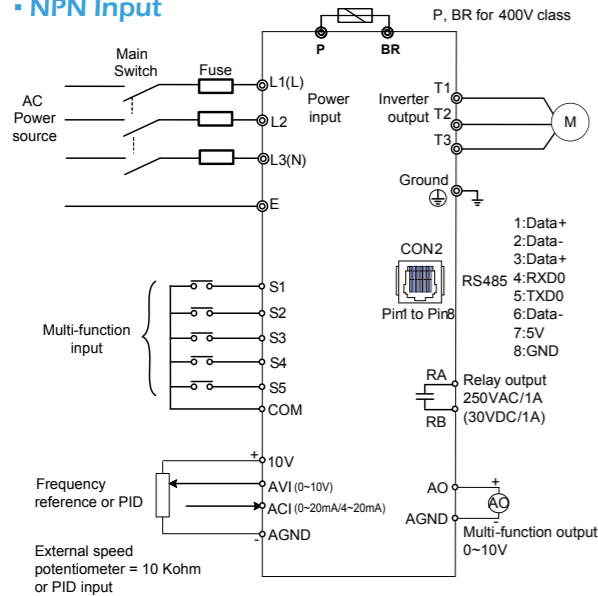
Power supply
1 : Single phase
3 : Three phase

Specification
H : Standard Type

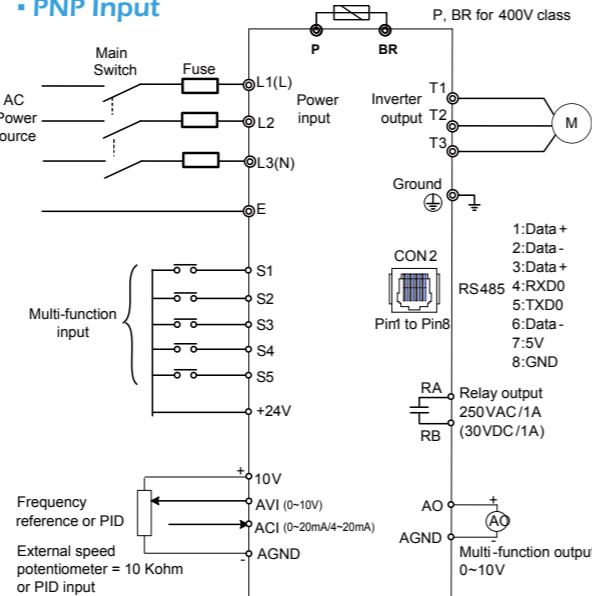
Series Name
S : 510s series

WIRING DIAGRAM

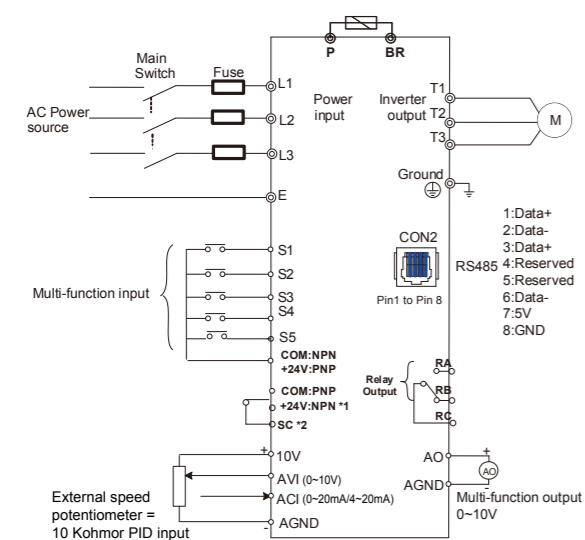
- NPN Input



- PNP Input



- Frame 3 & Frame 4 series



*1:
NPN: 24V connected to SC.
PNP: COM connected to SC.

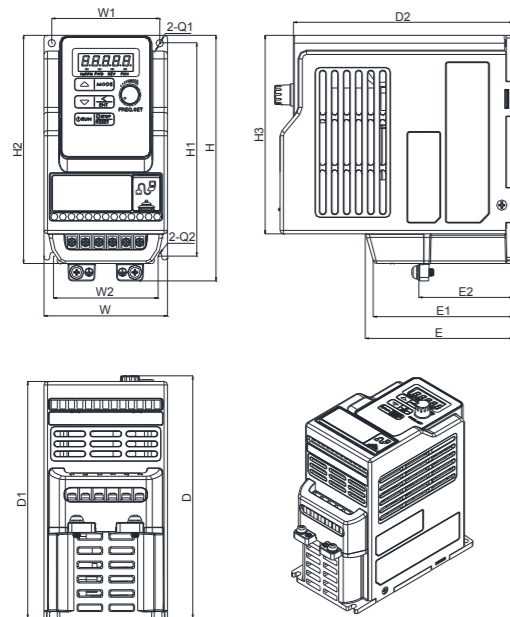
*2:
If SC is not connected, inverter parameter group 03-XX can't be enabled.

GENERAL SPECIFICATIONS

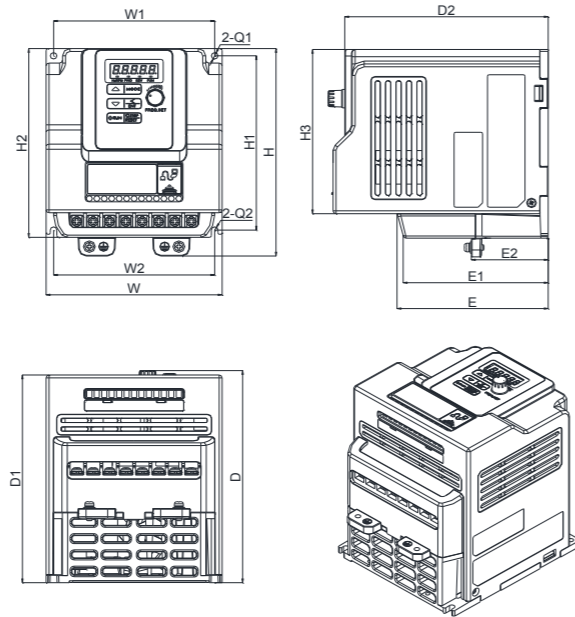
Item	L510s	
Control Mode	V/F Control + SLV control	
Frequency	Range	0.01~599.00Hz
	Setting resolution	Digital input : 0.01Hz Analog input : 0.015Hz/60Hz or 0.012Hz/50Hz
	Setting	Keypad : Set directly with ▲▼ keys or the VR (Potentiometer) on the keypad External Input Terminals: AVI(0/2~10V), ACI(0/4~20mA)input Multifunction input up/down function(Group3) Setting frequency by communication method.
	Frequency limit	Lower and upper frequency limits 3-skip frequency settings.
Run	Frequency limit	Keypad run, stop button External terminals: Multi-operation-mode 2 / 3 wire selection Jog operation Run signal by communication method.
	Main Controls	V / F curve setting : 6 fixed curves and one customized curve Carrier frequency : 1~16kHz(default 5kHz) Acceleration and deceleration control : 2 off Acc / dec time parameters. 4 off S curve parameters. Multifunction input : 19 functions (refer to description on group3) 5 points, Frame1/2 : NPN&PNP by separate models, Frame 3/4 : NPN&PNP switchable Multifunction output : 16 functions (refer to description on group3) Multifunction analog output : 5 functions (refer to description on group4) Main features : Overload Detection, 8 preset speeds, Auto-run, Acc/Dec Switch (2 Stages), Main/Alt run Command select, Main/Alt Frequency Command select, PID control, torque boost, V/F start Frequency, Fault reset.
Display	LED	parameter / parameter value / frequency / line speed / DC voltage / output voltage / output current / PID feedback / input and output terminal status / Heat sink temperature / Program Version / Fault Log.
	LED Status Indicator	For run/stop/forward and reverse.
Protective Functions	Overload Capacity and maximum current	150% of rated current under 60 seconds (150%/1min)
	Over voltage	100V/200V : Over 410V, 400V : Over 820V
	Under voltage	100V/200V : Under 190V, 400V : Under 380V
	Momentary Power Loss Restart	Inverter auto-restart after a momentary power loss.
	Stall Prevention	Stall prevention for Acceleration/ Deceleration/ and continuous Run.
	Short-circuit output terminal	Electronic Circuit Protection
International Certification	Grounding Fault	Electronic Circuit Protection
	Additional protective functions	heatsink over temperature protection, Auto carrier frequency reduction with temperature rise, fault output, reverse prohibit, Number of auto restart attempts, Parameter lock, motor PTC over-temperature protection, over voltage suppression function.
	CE/UL/cUL/RCM	
Communication	RS485 (Modbus) built in, with one to one or one to many control.	
	Built-in BACnet communication.	
	Profibus, DeviceNet, CANopen, TCP/IP by gateway.	
Environment	Operating temperature	-10~50°C(with fan), -10~40°C(without fan)
	Storage temperature	-20~60°C
	Humidity	Under 95%RH (no condensation)
	Vibration	2G(19.6m/s²)for 57~150Hz and below. 0.3mm for 10~57Hz (According to IEC60068-2-6 standard)
	EMC Compliance	EN61800-3, First Environment
	LVD Compliance	EN50178
	Electrical Safety	UL508C
Protection level	IP20	

DIMENSIONS

Frame1



Frame2



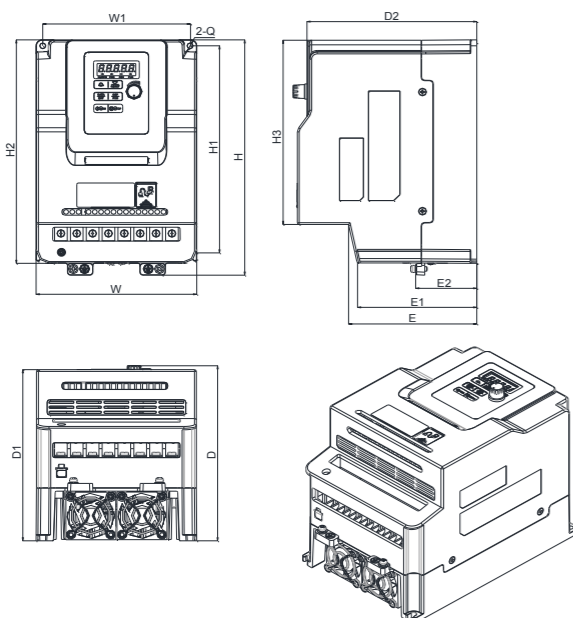
Model	dimension														
	W	W1	W2	H	H1	H2	H3	D	D1	D2	E	E1	E2	O1	O2
L510-1P2-SH1-N/P															
L510-1P5-SH1-N/P															
L510-2P2-SH1-N/P															
L510-2P5-SH1-N/P															
L510-201-SH1-N/P															
L510-2P2-SH1F-P	72	63	61	141	131	122	114	141	136	128.2	86.3	81.1	55	4.4	2.2
L510-2P5-SH1F-P															
L510-2P7-SH1F-P															
L510-201-SH1F-P															
L510-2P2-SH3-N/P															
L510-2P5-SH3-N/P															
L510-201-SH3-N/P															

F: Built-in EMC filter

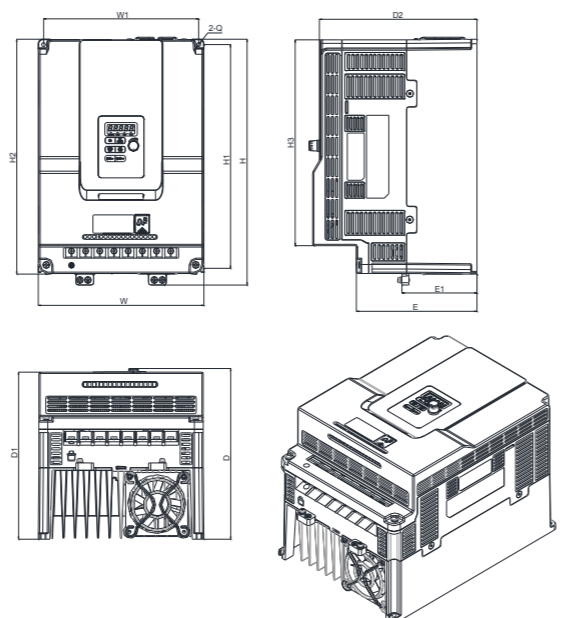
Model	dimension														
	W	W1	W2	H	H1	H2	H3	D	D1	D2	E	E1	E2	O1	O2
L510-101-SH1-N/P															
L510-202-SH1-N/P															
L510-203-SH1-N/P															
L510-202-SH1F-P															
L510-202-SH3-N/P															
L510-203-SH3-N/P	118	108	108	144	131	121	114	150	144.2	136.4	101.32	96.73	51.5	4.3	2.2
L510-401-SH3-N/P															
L510-402-SH3-N/P															
L510-403-SH3-N/P															
L510-401-SH3F-P															
L510-402-SH3F-P															
L510-403-SH3F-P															

F: Built-in EMC filter

Frame3



Frame4



Model	dimension														
	W	W1	H	H1	H2	H3	D	D1	D2	E	E1	E2	O		
L510-205-SH3															
L510-405-SH3															
L510-408-SH3	129	118	197.5	177.6	188	154.7	148	143.7	136	102.6	96	48.2	4.5		
L510-405-SH3F															
L510-408-SH3F															

Model	dimension														
	W	W1	H	H1	H2	H3	D	D1	D2	E	E1	O			
L510-208-SH3															
L510-210-SH3															
L510-410-SH3	187	176	273	249.8	261	228.6	190	185.6	177.9	136	84.7	4.5			
L510-415-SH3															
L510-410-SH3F															
L510-415-SH3F															

TYPICAL APPLICATIONS

- ◆ Fans & Pumps
- ◆ Package Machines
- ◆ Automatic Door Control
- ◆ Winding Machines
- ◆ Conveyers
- ◆ Textile Machines
- ◆ Feeder Machines
- ◆ PCB Automation
- ◆ Small plastic crusher
- ◆ Food & beverage application



Package Machines



Conveyers



Automatic Door Control



PCB Automation

ACCESSORIES

Accessories	Model	Function	Notes
Copy module	JN5-CU	① Duplicating parameters setting in one inverter to another inverter ② As a remote keypad to be used ③ Using RJ45 line to connect inverter	
Communication modules	JN5-CM-PDP	For connection of Profibus-DP communication protocol	For 510 series
	JN5-CM-TCPIP	For connection of TCP-IP communication protocol	
	JN5-CM-DNET	For connection of DeviceNet communication protocol	
	JN5-CM-CAN	For connection of CANopen communication protocol	
RJ45 to USB connection cable	JN5-CM-USB	Using the TECO exclusive PC-software line	1.8m
EMC Grounding kit(Frame 1)	JN5-GK-L01	To enhance the EMC ability by enlarging the grounding area	For frame 1
EMC Grounding kit(Frame 2)	JN5-GK-L02		For frame 2
Din rail kit (Frame 1)	JN5-DIN-L01	Used for mounting on the din rail	For frame 1
Din rail kit (Frame2)	JN5-DIN-L02		For frame 2



Copy Unit (JN5-CU)

- ※ Duplicating parameters setting in one Inverter to another Inverter.
- ※ As a remote keypad to be used.
- ※ Using RJ45 line to connect inverter.



EMC Grounding Kit
(for frame 1 & frame 2)



RJ45 to USB (JN5-CM-USB)
※ Using the TECO exclusive PC-software line.