

Product data sheet

Variable speed drive A510-4003-SC3F-IP20, 2.2KW, 3HP, 380-460V

Features

- Dual core processors
- Advanced motor auto-tune function
- Conformity to global standards
- Hardware switch off function
- High efficiency PM motor driving
- 200% 0.5Hz Starting Torque
- Down size design
- Intelligent over voltage suppression

Component name		A510s	
Inverter Capacity(HP)		3	
Output Rating	HD	Rated Output Capacity(KVA)	4.2
		Rated Output Current(A)	5.5
		Maximum Applicable Motor (HP)	3
		(KW)	2.2
	ND	Rated Output Capacity(KVA)	5.3
		Rated Output Current(A)	6.9
		Maximum Applicable Motor (HP)	5
		(KW)	3.7
Maximum Output Voltage(V)		Three Phase, 380~480V	
Maximum Output Frequency(Hz)		0.1~599.0Hz	
Input Power	Rated Voltage, Frequency		Three Phase, 380V to 480V, 50/60Hz
	Allowable Voltage Fluctuation		-15% ~ +10%
	Allowable Frequency Fluctuation		±5%
Braking transistor		Built-in	
Control characteristics	Display		LCD keypad
	Control Modes		V/F, V/F+PG, SLV, SLV2, SV, PMSV, PMSLV (SVPWM Modulation)
	Output Frequency		0.1Hz~599.0Hz
	Frequency Accuracy		Digital references: ±0.01%(-10~+40 °C), Analog references: ±0.1%(25 °C ± 10 °C),
	Speed Control Accuracy		±0.1% (Sensor Vector Control Mode, SV) *1 ±0.5% (Sensorless Vector Control Mode, SLV) *1
	Frequency setting Resolution		Digital references: 0.01Hz, Analog references:0.03Hz at 60Hz
	Output Frequency Resolution		0.01Hz
	Overload Tolerance		Heavy Duty Mode(HD): 150% rated current for 60sec, 200% current for 2sec. (Factory default), Normal Duty Mode(ND): 120% rated current for 60sec.
	Frequency Setting Signal		0 to +10V , -10V to +10V , 4 to 20mA or pulse train input

Product data sheet

Control characteristics	Acceleration/Deceleration Time	0.0~ 6000.0 second(separately set acceleration and deceleration time)
	Voltage/Frequency Characteristics	15 fixed and one customized V/f curve based on parameters
	Braking Torque	Approximate 20%, braking transistor built in.
	Main Control Functions	Auto tuning, Zero Servo, Torque Control, Position Control, Droop, Soft-PWM, Over-Voltage Protection, Dynamic Braking, Speed Search, Frequency Traversing, Momentary Power Loss Restart, PID Control, Automatic Torque Compensation, Slip Compensation, RS-485 Communication , Close Loop Control with PG, Simple PLC Function, Two analog Outputs, Safety Input Contact.
Other Functions	Records of Power ON and Operation Time, 30 Fault History Records and Latest Fault Record State, Energy-Saving Function, Phase Loss Protection, DC Braking, Dwell, S Curve Acceleration and Deceleration, Up/Down Operation, Modbus Communication protocol, Display of Engineering unit, SINK/SOURCE Selection	
Protection Functions	Stall Protection	Current level can be adjusted (in acceleration or constant speed; it can be set separately. In deceleration, it can be set with or without stall protection)
	Over Current(OC) and Output Short-circuit(SC) Protection	It stops when the output current exceeds 200% of the inverter rated current
	Inverter Overload Protection(OL2)	Inverter will be stopped when the output is higher than below conditions. Heavy Duty Model (HD): 150% rated current for 60sec, 200% rated current for 2sec. (Factory default), carrier frequency is from 2KHz to 8KHz. Normal Duty Mode(ND): 120% rated current for 60sec, carrier frequency is 2KHz
	Motor Overload Protection(OL1)	Electrical overload protection curve
	Over Voltage Protection(OV)	If the main circuit DC voltage is over 820V (400V class), the motor stops running.
	Under Voltage Protection(UV)	If the main circuit DC voltage falls below 380V (400V class), the motor stops running.
	Momentary power loss restart	Power loss exceeds 15ms. You can set the function of momentary power loss restart up to 2sec
	Overheat Protection(OH)	Thermistor sensor on heatsink
	Ground Fault Protection(GF)	Protection by current detection circuit
	Charge Indicator	When main circuit DC voltage $\geq 50V$, the CHARGE LED is on
Output Phase Loss Protection(OPL)	If the OPL function acts, the motor stops rotation automatically	

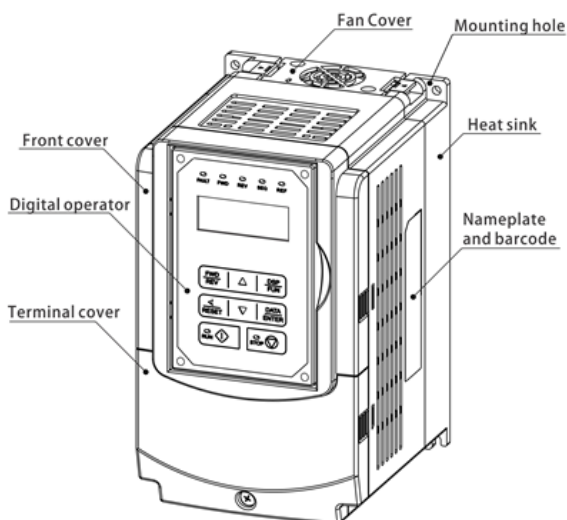
Product data sheet

Environment Specification	Location	Indoor (Protected from corrosive gases and dust)
	Ambient Temperature	-10~+40°C without de-rating (IP20/NEMA1), -10~+50°C (IP00); with de-rating, its maximum operation temperature is 60°C
	Storage Temperature	-20~+70°C
	Humidity	95% RH or less (no condensation)
	Altitude and Vibration	Altitude of 1000 meters or lower, 1.0G, in compliance with IEC60068-2-6
Communication Function		Built-in RS-485 as standard (Modbus protocol with standard RJ45)
Electromagnetic Interference(EMI)		In compliance with EN61800-3 standard
Electromagnetic Compatibility (EMS)		In compliance with EN61800-3 standard
Certification	CE	In compliance with EN61800-3 (CE & RE) and EN61800-5-1 (LVD)
	UL	UL508C
Option Card		Open Collector type (Induction Motor), Line Driver (Induction Motor), Line Driver (Permanent Magnet Motor).

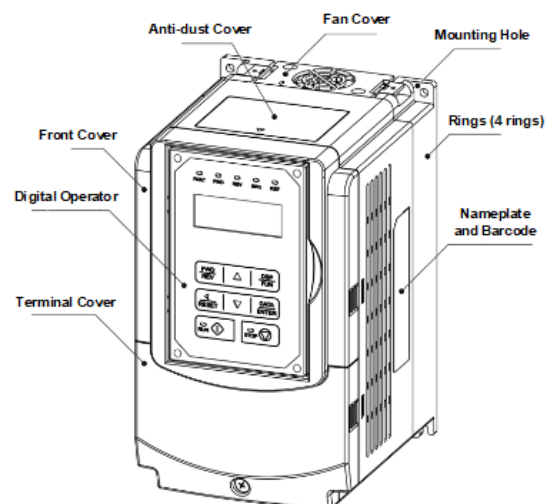
Notes:

1. Speed control accuracy will be influenced when the motor and installation condition are different.

External View



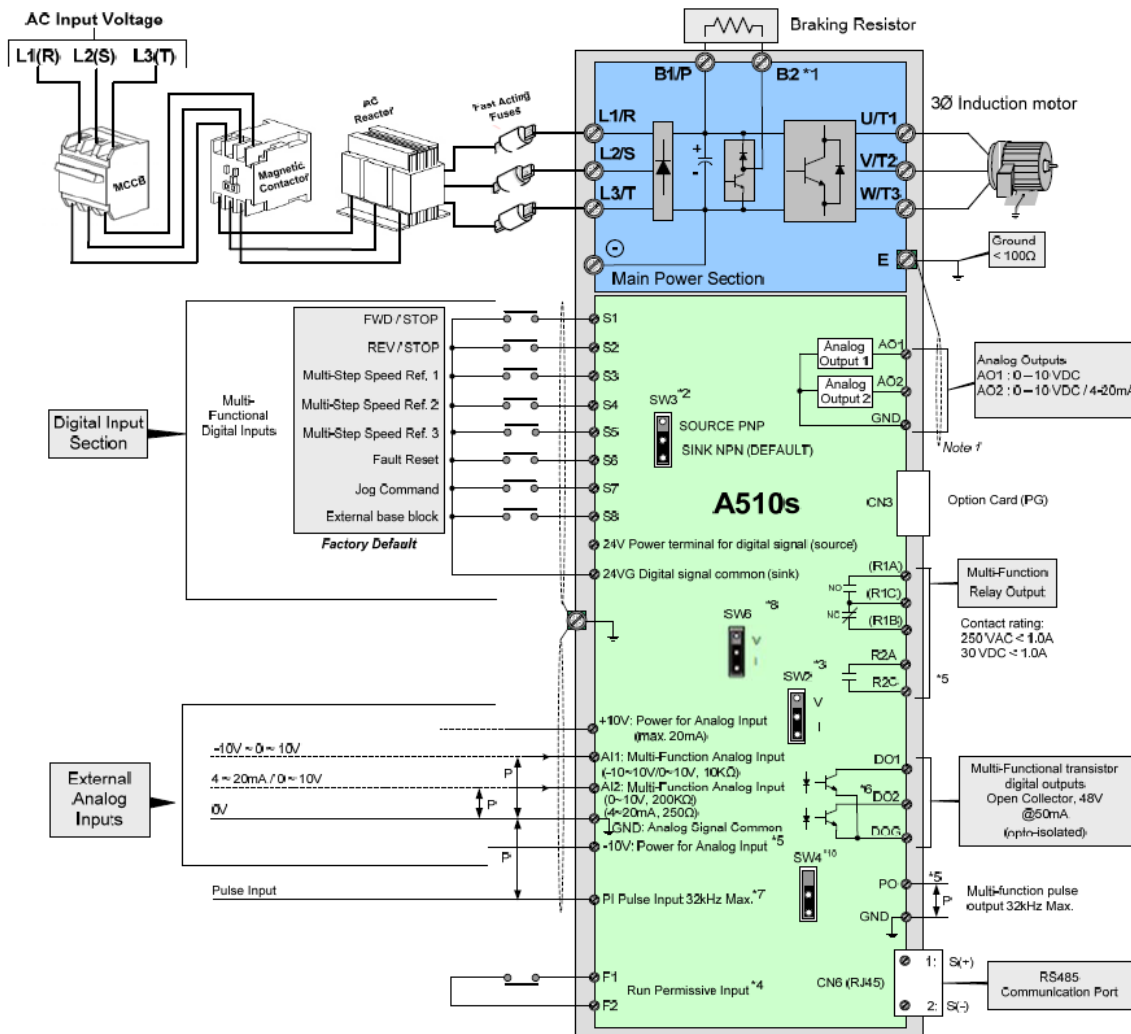
(Wall-mounted type, IEC IP20)



(Wall-mounted type, IEC IP20, NEMA1)

Product data sheet

General Wiring Diagram

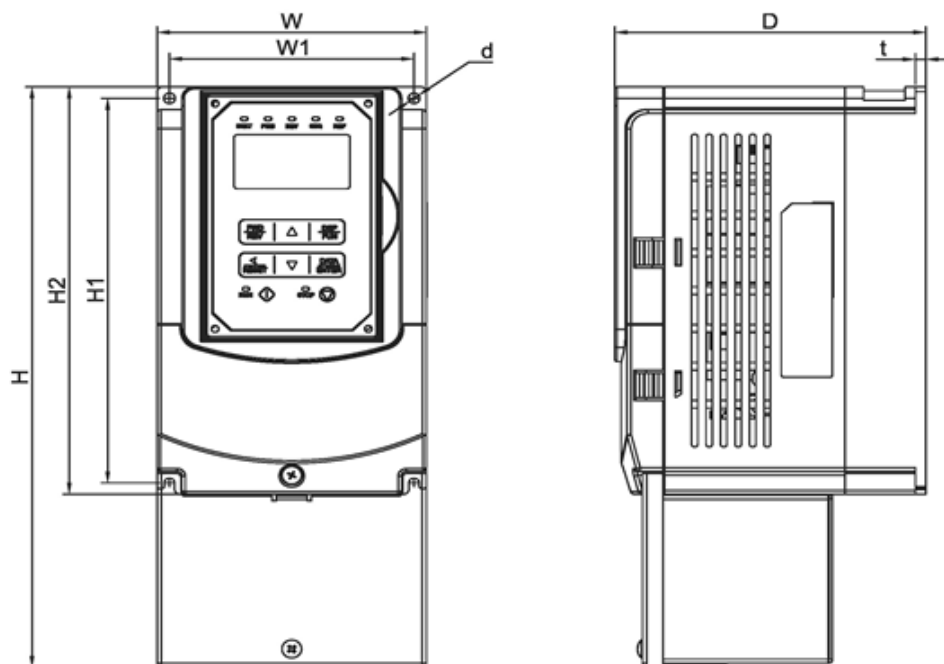


Notes:

- *1: Models 200V 1 ~ 25HP and 400V 1 ~ 40HP or lower ratings have a built-in braking transistor. To use this braking transistor a braking resistor can be connected between B1 and B2.
- *2: Use SW3 to select between Sink (NPN, with 24VG common) or Source (PNP, with +24V common) for multi-function digital input terminals S1~S8.
- *3: Use SW2 to switch between voltage (0~10V) and current (4~20mA) input for Multi-function analog input 2 (AI2). Besides please also check parameter 04-00 for proper setting.
- *4: Run Permissive input F1 and F2 is a normally closed input. This input should be closed to enable the inverter output. To activate this input remove the jumper wire between F1 and F2.
- *5: Models 200V 3HP and 400V 5HP and higher ratings include terminals -10V, S(+), S(-), R2A-R2C and PO-GND.
- *6: 200V 2HP and 400V 3HP and lower ratings include terminal DO2.
- *7: When using the open collector for pulse input, it doesn't need resistance because of built-in pull-up resistance.
- *8: AO2 default setting is 0~+10V.
- *9: Both 200V class 50HP~150HP and 400V class 100HP~425HP have built-in DC reactors.
- *10: It need turn on the switch for the terminal resistor RS485 in the last inverter when many inverters in parallel connection. Please refer to Appendix A

Product data sheet

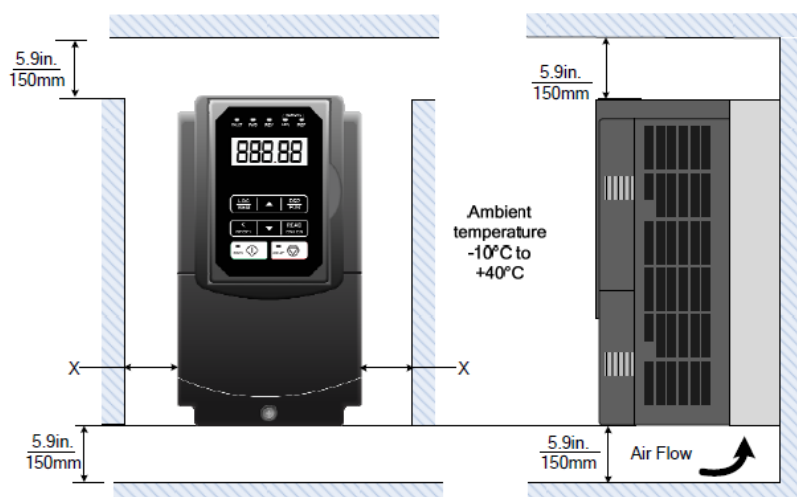
Dimensions



Inverter model	Dimensions in mm (inch)								NW in kg(lbs)
	W	H	D	W1	H1	H2	t	d	
A510-4003-SC3F	130 (5.12)	306 (12.05)	150 (5.91)	118 (4.65)	203 (7.99)	215 (8.46)	5 (0.20)	M5	3.5 (7.71)

Installation Spaces

When installing the inverter, ensure that inverter is installed in upright position (vertical direction) and there is adequate space around the unit to allow normal heat dissipation as per the following figure.

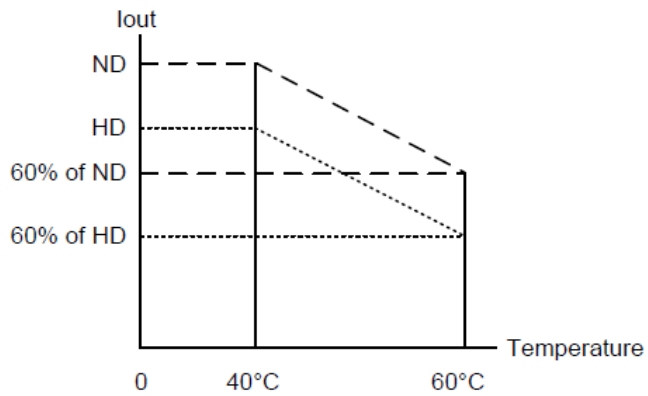


X = 1.18" (30mm) for inverter ratings up to 18.5kW

X = 1.96" (50mm) for inverter ratings 22kW or higher

Product data sheet

Inverter De-rating Based on Temperature



Important Note: The inverter heatsink temperature can reach up to 90°C/ 194°F during operation; make sure to use insulation material rated for this temperature.